

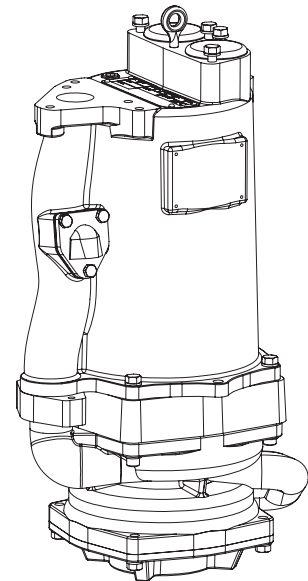
# Model OGP20X2C

Recessed Vortex, Compact Series  
For Automatic Level Control/Manual Operation

## Submersible Grinder Pumps

### Specifications:

DISCHARGE .....	1¼"
LIQUID TEMPERATURE .....	104°F (40°C) Continuous
VOLUTE .....	Cast Iron ASTM A-48, Class 30
MOTOR HOUSING .....	Cast Iron ASTM A-48, Class 30
SEAL PLATE .....	Cast Iron ASTM A-48, Class 30
IMPELLERS: <i>Design</i> .....	12 Vane, Vortex, With Pump Out Vanes On Back Side. Dynamically Balanced, ISO G6.3.
<i>Material</i> .....	85-5-5-5 Bronze
SHREDDING RING .....	Hardened 440C Stainless Steel Rockwell® C-55.
CUTTER .....	Hardened 440C Stainless Steel, Rockwell® C-55.
SHAFT .....	416 Stainless Steel
SQUARE RINGS .....	Buna-N
HARDWARE .....	300 Series Stainless Steel
PAINT .....	Air Dry Enamel.
SEAL: <i>Design</i> .....	Single Mechanical
<i>Material</i> .....	Rotating Faces - Silicon-Carbide Stationary Faces - Silicon-Carbide Elastomer - Buna-N Hardware -300 Series Stainless
CORD ENTRY .....	Custom Molded, Quick Connect, for Sealing and Strain Relief
CORD <i>Automatic</i> .....	CSA/UL Approved 12/5 Type SOW
UPPER BEARING:	
<i>Design</i> .....	Single Row, Angular contact Ball
<i>Lubrication</i> .....	Oil
<i>Load</i> .....	Radial & Thrust
LOWER BEARING:	
<i>Design</i> .....	Single Row, Angular contact Ball
<i>Lubrication</i> .....	Oil
<i>Load</i> .....	Radial & Thrust
MOTOR: <i>Design</i> .....	NEMA L-Single Phase Torque Curve, Oil-Filled, Squirrel Cage Induction
<i>Insulation</i> .....	Class F
SINGLE PHASE.....	Capacitor Start/Capacitor Run
CHECK VALVE	
<i>Body</i> .....	Cast Iron ASTM A-48, Class 30
<i>Seat</i> .....	Bronze ASTM C836
<i>Flap</i> .....	Fiber Reinforced Buna
LEVEL CONTROL .....	Can be used with Model ESPS-150E, Environmentally sealed pressure switch with CPVC housing, Buna diaphragm, Custom molded quick connect for sealing and strain relief
OPTIONAL EQUIPMENT.....	Cord Length, ESPS Level Control, Auto- matic to Manual Adapter Plug Kit, BSP Check Valve Kit, C-Channel Rail Check Valve Kit



**Series: OGP-C**  
**2HP, 2875RPM, 50Hz**

**Compact Series For Automatic  
Level Control/Manual  
Operation**



CSA 108 - File No. LR16567



NSF/ANSI 46

### DESCRIPTION:

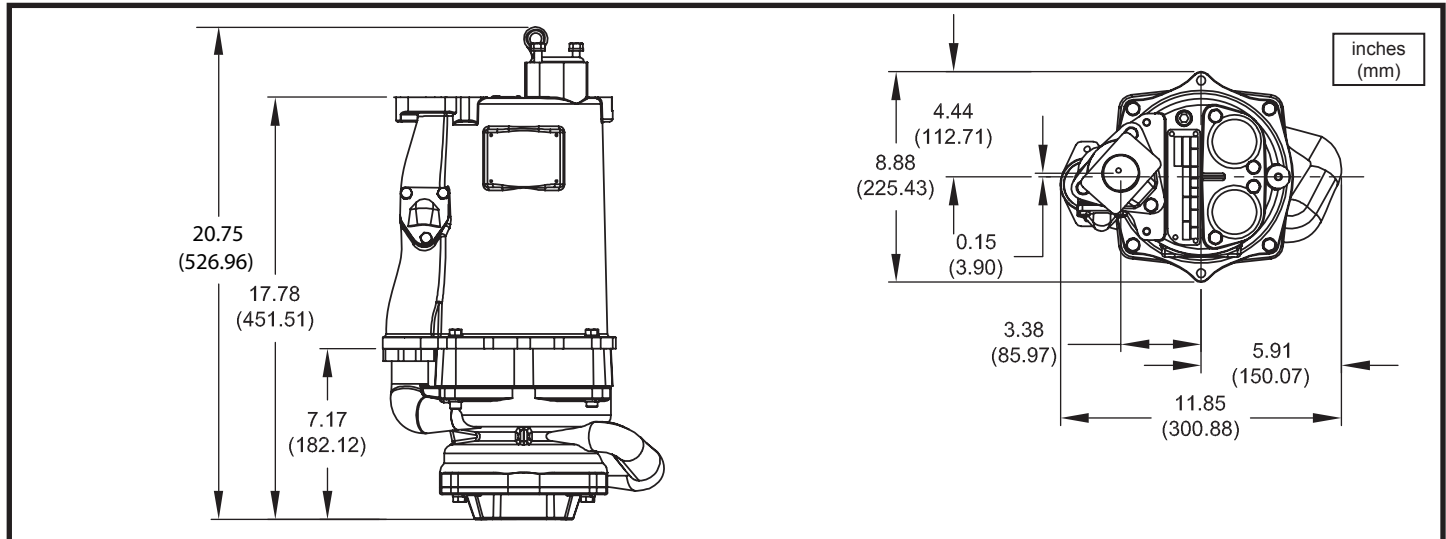
THE GRINDER PUMP IS DESIGNED TO  
REDUCE DOMESTIC SEWAGE TO A FINELY  
GROUND SLURRY.

# Model OGP20X2C

Recessed Vortex

For Automatic Level Control/Manual Operation

## Submersible Grinder Pumps



PUMP TYPE	PRODUCT NUMBER	P2 [kW]	VOLT [V]	PHASE/ Hz	RPM (Nom)	START	I nom. [A]	I start [A]	CABLE	CABLE TYPE	CABLE DIAMETER ± 0.5 mm
OGP20X2C	20100020	1,5	240	1 / 50	2875	DOL	16.3	65.0	12/5	SOW	18
OGP20Z2C	20100030	1,5	400	3 / 50	2875	DOL	5.2	26.3	12/5	SOW	18



### IMPORTANT !

- 1.) PUMP MAY BE OPERATED "DRY" FOR EXTENDED PERIODS WITHOUT DAMAGE TO MOTOR AND/OR SEALS.
- 2.) THIS PUMP IS APPROPRIATE FOR THOSE APPLICATIONS SPECIFIED AS CLASS I DIVISION II HAZARDOUS LOCATIONS.
- 3.) THIS PUMP IS NOT APPROPRIATE FOR THOSE APPLICATIONS SPECIFIED AS CLASS I DIVISION I HAZARDOUS LOCATIONS.
- 4.) INSTALLATIONS SUCH AS DECORATIVE FOUNTAINS OR WATER FEATURES PROVIDED FOR VISUAL ENJOYMENT MUST BE INSTALLED IN ACCORDANCE WITH THE NATIONAL ELECTRIC CODE ANSI/NFPA 70 AND/OR THE AUTHORITY HAVING JURISDICTION. THIS PUMP IS NOT INTENDED FOR USE IN SWIMMING POOLS, RECREATIONAL WATER PARKS, OR INSTALLATIONS IN WHICH HUMAN CONTACT WITH PUMPED MEDIA IS A COMMON OCCURRENCE.

Testing is performed with water, specific gravity 1.0 @ 68° F @ (20°C), other liquids may vary performance



Kringelhusvej 15, 7100 Vejle  
Denmark  
Phone: +45 4693 5200  
Mobile: +45 2878 1226  
www.liqflow.dk